

Raritan Cheat Sheet - Focus Products

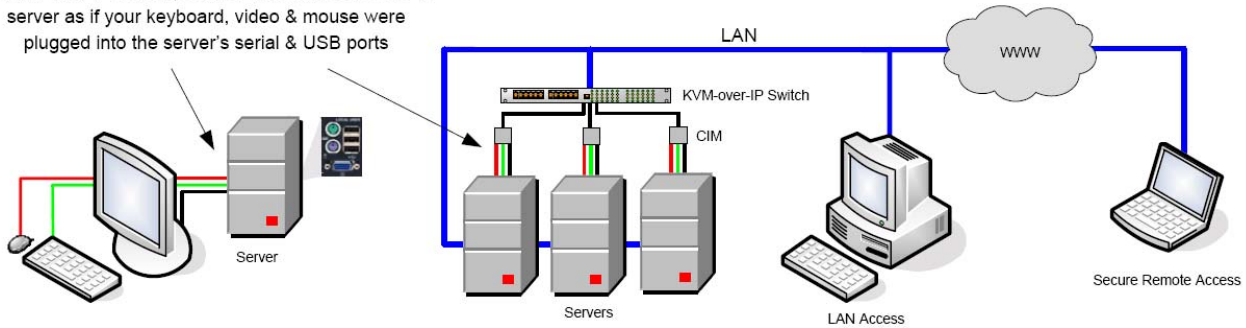


Server access with KVM-over-IP – Dominion KX II

What is a KVM-over-IP switch?

KVM is an acronym for Keyboard, Video and Mouse. A KVM-over-IP switch offers unparalleled control of multiple servers from any PC as if your keyboard, video and mouse were directly plugged into a server's serial and USB ports. With LAN and web access Raritan's Dominion KXII provides control over servers from anywhere with 256-bit AES encrypted remote access.

A KVM-over-IP switch provides the same access to a server as if your keyboard, video & mouse were plugged into the server's serial & USB ports



What are the benefits of a KVM-over-IP switch?

- **Reduce downtime** through immediate remote access to hung servers.
- **Lower costs** with reduced site visits and streamlined operations
- **Deep control** - only a KVM switch provides BIOS-level access when the OS freezes – software solutions don't.
- **One easy-to-use web interface** consolidates control from 1-64 servers.
- **Consolidate control** of different servers – Sun / WIN / UNIX / Linux / Solaris servers. CommandCenter Secure Gateway consolidates multiple KVM switches to control thousands of servers.
- **Virtual Media** for loading software, patches, firmware upgrades and backup data of remote servers from USB keys, local and remote drives, CDs and DVDs.

Dominion KX II, 8 - 64 ports



Power Management – Dominion PX

What is an intelligent PDU?

A Power Distribution Unit (PDU) is an intelligent power board for servers that is installed within rack cabinets. Servers are plugged into the PDU which also connects to the LAN to provide remote access to server power via the LAN or the 'web'.

What are the benefits on an intelligent PDU?

- **Remote and immediate access** to server power to quickly reboot hung servers.
- **Server power monitoring** is essential for efficient power management.
- **Reduce downtime** by setting critical thresholds and alerts.
- **Better management** of power through remote access, monitoring, thresholds, alerts, power sequencing.
- **Environmental sensors** (optional) provide crucial temperature and humidity information from anywhere within the rack.



Remote Control of IT Equipment via serial ports – Dominion SX

What does the Dominion SX do?

The Dominion SX provides immediate remote access to IT equipment via the serial port. A variety of IT equipment can be accessed and controlled including switches, routers, wireless access points, load balancers, PBX, CCTV.

Benefits: Remote and immediate access reduces site visit costs and improves uptime as networking issues are resolved quicker. The status of IT equipment connected to the LAN can be checked and controlled from anywhere.

Branch Office Remote Access – Dominion KSX II

What does the Dominion KSX II do?

The Dominion KSX II provides access to a remote office's servers and IT equipment. Servers are connected via KVM, and other IT equipment is connected through their serial port. Through serial port access IT managers can control routers, switches, PBX, CCTV, printers, wireless access points and other network-attached devices remotely.

Benefits: Remote or branch office IT equipment can now be remotely managed thereby reducing the need for local IT support. Network management is improved with centralised, consolidated control

Who is Raritan?

Raritan Inc. is a US-based manufacturer of IT infrastructure management solutions for secure access, monitoring, and management of servers and other IT devices in data centres and remote offices. Raritan's products are used to control and manage millions of servers at more than 50,000 data centres, computer test labs, and other sites around the world. Visit www.raritan.com